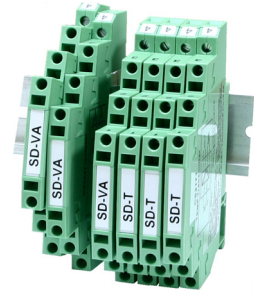


# SD-PR DC SIGNAL Converter & Isolator

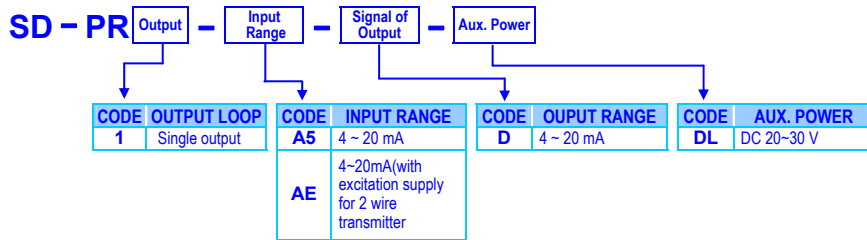
## FEATURE

- Input signal for 4~20mA(with excitation supply available)
- Output 4~20mA with loop powered, self powered or auxiliary powered available
- DIN rail mounting with Ultra slim in 7.6 mm profile
- CE Approved & RoHS

*Ultra Slim (7.6mm) type*



## ORDERING INFORMATION



## TECHNICAL DATA

Signal input	
Input Range	Input Impedance
4 ~ 20 mA	250Ω

Analogue output			
Power Type	Output Range	Accuracy	Load Resistance
Auxiliary Power	4 ~ 20mA	± 0.1% of F.S.	≤ 550Ω;

**Response time:** ≤ 100msec (10%~90% of FS)  
**Output ripple:** ≤ ±0.1% of F.S.

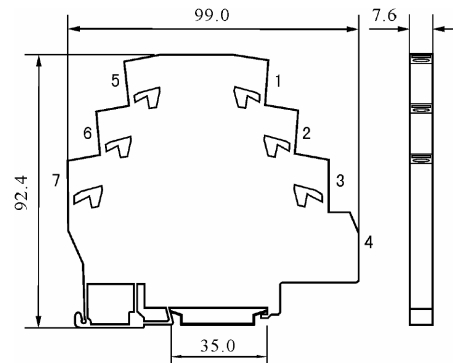
**Power**  
**Power supply:** DC 20~30V  
**Excitation Supply:** DC 19~24V  
**Power consumption:** ≤ 60mA at 24V, 20mA

**Environmental**  
**Operating temp.:** -10~60 °C  
**Operating humidity:** 20~95% RH, Non-condensing  
**Temperature drift:** 0.1% F.S./10°C  
**Storage temperature:** -10~70 °C  
**Protection:** IP 42

**Mechanical**  
**Dimensions:** 7.6mm(W) x 99mm(H) x 92.4mm(D)  
**Housing:** Self-extinguishing, black ABS, UL94V0  
**Terminals:** Sprint terminal, up to 1.0 mm<sup>2</sup> wire  
**Mounting:** 35mm DIN rail (EN50022)  
**Weight:** 150g

**Specification**  
**EMC:** EN 61326-1  
**Electric Isolation:** AC 1.5KV for 1min; Between Power/Input/Output  
**Insulation resistance:** ≥ 100MΩ at 500Vdc

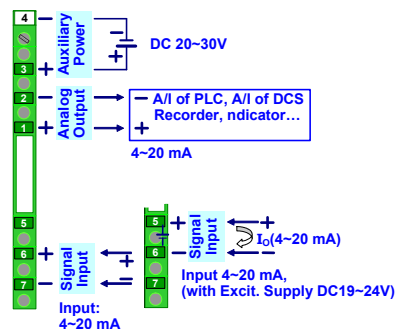
## DIMENSIONS



## CONNECTION DIAGRAM

Please check the voltage & type of power supplied first, and then connect to the specified terminals. It is recommended that power supplied to the meter be protected by a fuse or circuit breaker.

### Auxiliary Powered type



### Terminal and Wiring

